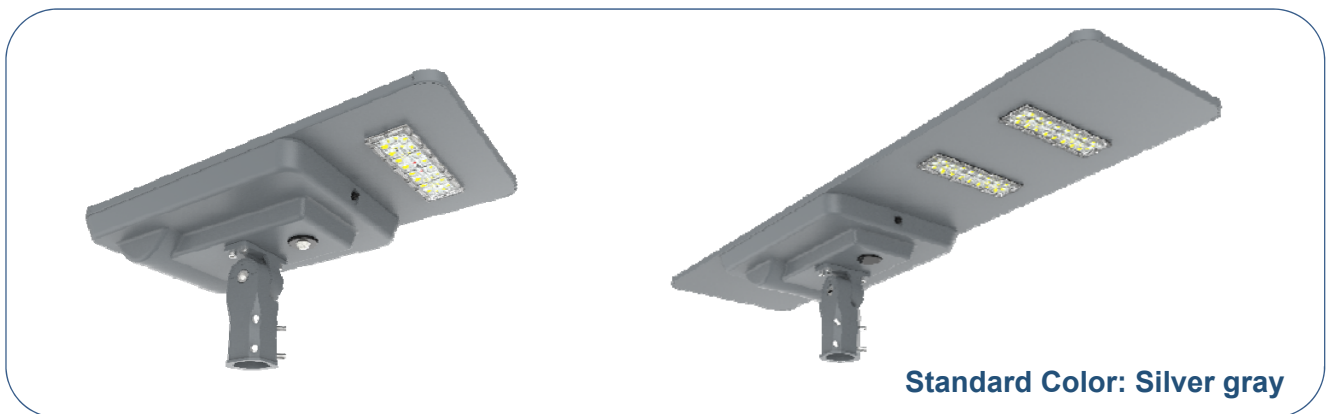


Elite



Features:

- Automatic intelligent dimming scheme: Designed autonomy for 2-3 overcast days to ensure its reliable light output at night time;
- Self-contained driver compartement design for easy replacement and maintenance.
- Monocrystalline silicon solar panel, the utilization efficiency of solar energy is 20% higher than polycrystalline silicon.
- Housing Material: Die-casting aluminum alloy + High strength sheet metal + PC;
- Protection Degree: IP66
- Working model: : infrared induction (8m) + Daylight Control + Time Control(2H×100%, 3H×50%, 6H×20%, Standby 20% when nobody);
- Angle Adjuster: Adjustable angle;
- Working hours : > 36hours
- Pole Diameter: Φ60mm;
- Operating environment: Operating Temperature - 10°C ~ 45°C, Operating Humidity10% ~ 90 %RH, Storage Temperature -20 °C ~ 55 °C.

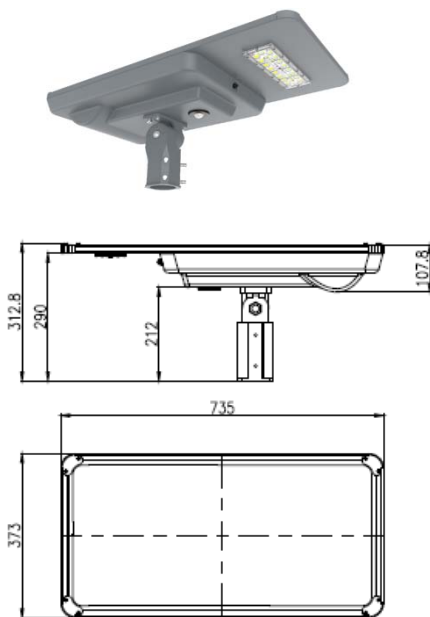
Product Parameters:

Product Model	Power (W)	LED	CCT	Luminaire Efficiency (lm/W)	CRI	Solar Panel Parameters	Battery Capacity	Battery Type	Net weight /Gross weight (kg)	Luminaires Dimension (mm)	Packing Dimension (mm)
UNI-SLEC-1-030	30	Philips	3000±300K 4000±300K 5000±300K 5700±500K 6500±500K	170	70	18V/40W	12.8V 18AH	LiFePO4	11.5/13.5±0.2	735x373x313	825x450x165
UNI-SLEC-1-040	40					18V/50W	12.8V 24AH	LiFePO4	12.5/15±0.2	880x373x313	975x450x165
UNI-SLEC-1-050	50					18V/60W	12.8V 30AH	LiFePO4	13.5/16.5±0.2	988x373x313	1085x450x165
UNI-SLEC-1-060	60					36V/80W	25.6V 18AH	LiFePO4	16.5/20.3±0.2	1352x373x313	1445x450x165
UNI-SLEC-1-070	70					36V/90W	25.6V 24AH	LiFePO4	17.8/21.8±0.2	1390x373x313	1490x450x165
UNI-SLEC-1-080	80					36V/100W	25.6V 24AH	LiFePO4	19.5/24±0.2	1482x373x313	1575x450x165

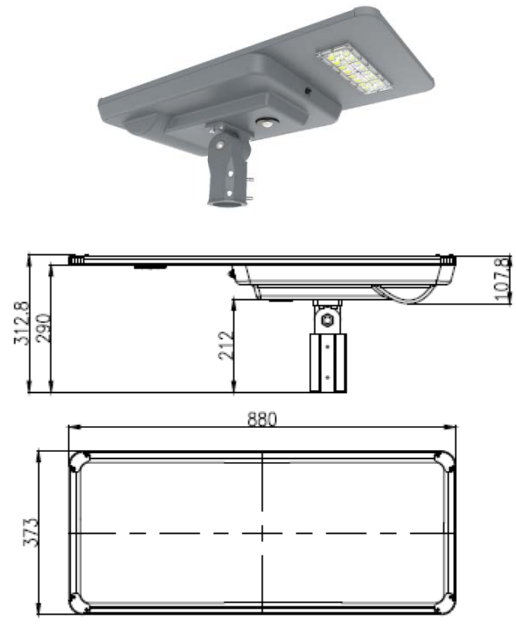
Note: The tolerance of Luminous Flux for lighting products is ±7%

Product Dimension:

UNI-SLEC-1-030

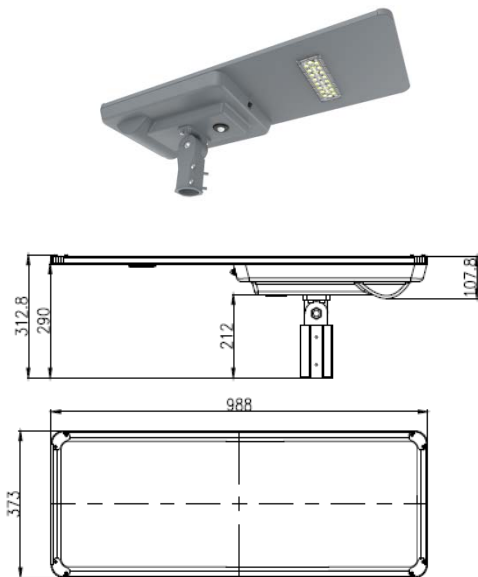


UNI-SLEC-1-040

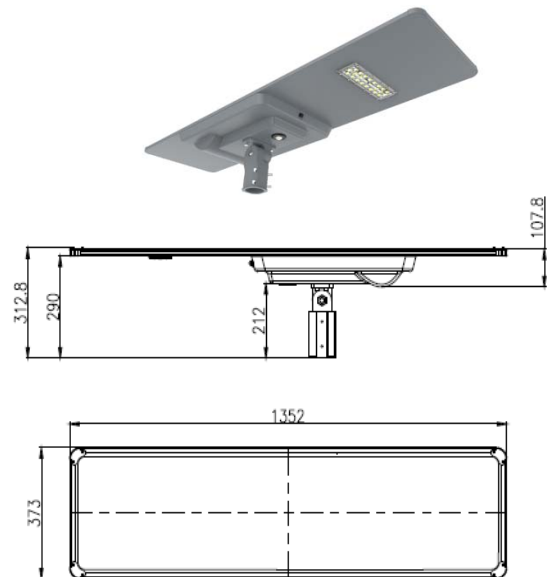


Street Light Specification

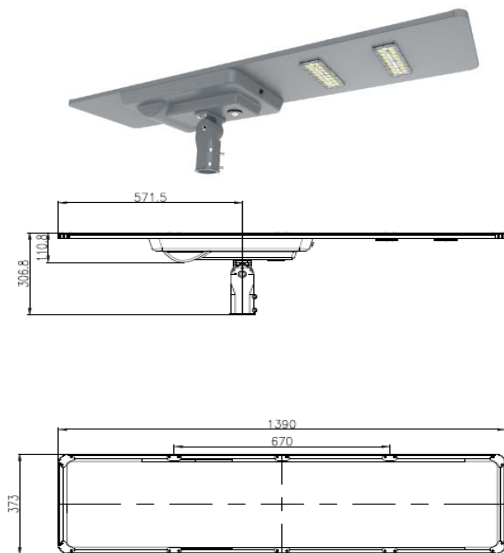
UNI-SLEC-1-050



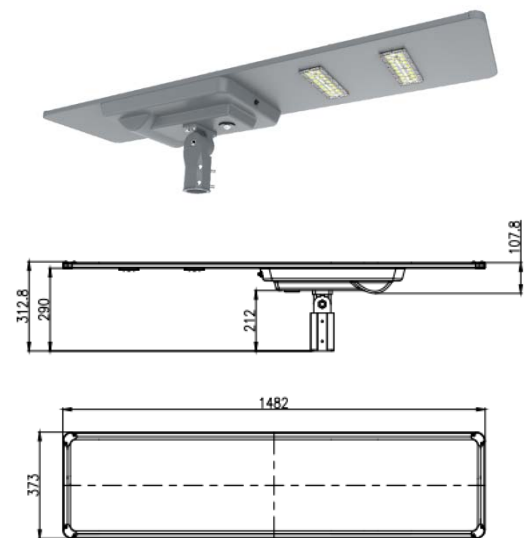
UNI-SLEC-1-060



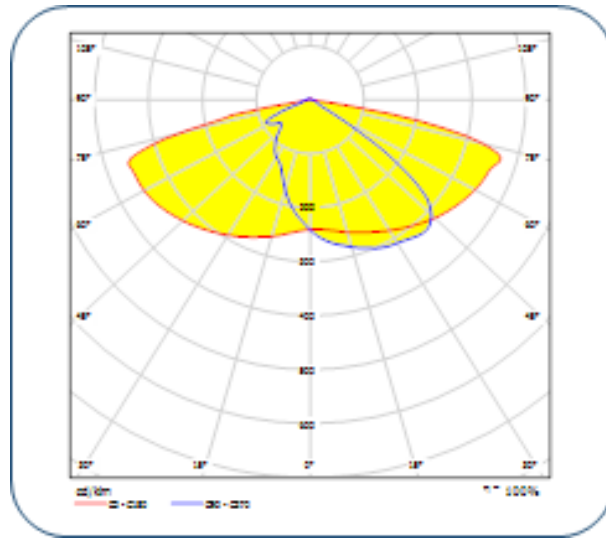
UNI-SLEC-1-070



UNI-SLEC-1-080



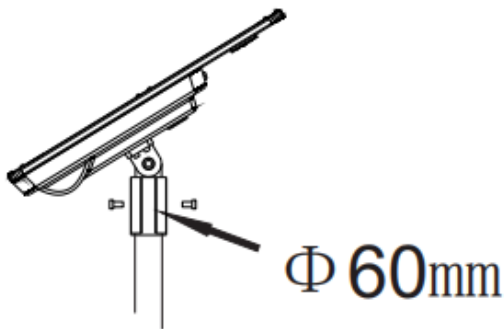
Light Distributions:



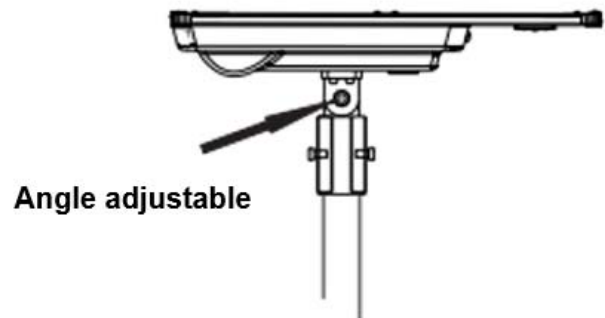
Note: The pictures are only the references of typical light distribution type, and the specific parameters shall be subject to the actual IES of the product.

Installation Diagram:

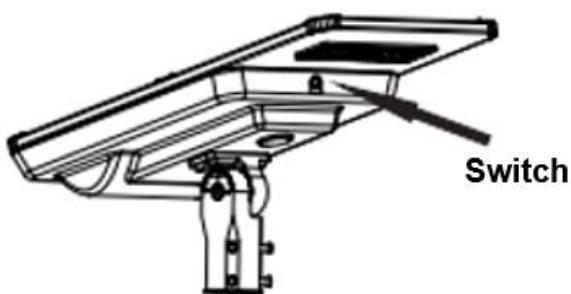
1. Fix screws with M8 hexagon wrench.



2. Insert M14 screws into the cantilevered arm of lamp pole, fixed angle.



3. Turn on the switch and the luminaire will start working.



Maintenance:

- For the service life and safer use of this product, please clean and maintain this product regularly.
- Do make sure Ensure the battery is not used for more than six months, the battery will be affected by self-discharge. Charge and record regularly when transported and stored for a long time, avoid affecting battery life.
- Do make sure solar panel faces the south with no objects blocking sunlight when assembling solar kits.
- Do make sure every screw required is fixed in place with no slippage or wrong screws using.

Cautions:

- Make sure safe and complete installation before power on;
- Do not mount the luminaire onto ordinary combustible materials directly in any circumstances;



- Do not cover the luminaire with any objects;
- Do not use the product in a closed environment;
- The maintenance of the luminaire must be done by professionals;
- The external wiring of the luminaire is Z-shaped. If damaged, the luminaire is scrapped.
- The light source, if damaged, shall be replaced with chips provided by the manufacturer or service team.

Warning, danger of electric shock



- Statement: The luminaire complies with the non-hazardous requirements in the photobiological safety standard IEC 62471:2006;
- Product specifications are subject to change without notice.

HQ Address: 112 Yongfu Rd., Qiaotou Village, Fuyong Town, Baoan District, Shenzhen 518103 China.
Manufacturing Base: Unilumin Industrial Park, 6th Lanjing North Road, Pingshan District, Shenzhen, China.
TEL: +86-0755-29918999
FAX: +86-0755-29912092
www.unilumin.com
www.unilumin-lighting.com