



## Beta



Standard Color: Dark Gray (PANTON:8403C)

### Features:

- Rated Power Range: 15W-80W;
- Rated Input Voltage: AC220-240V/100-240V/100-277V;
- Housing Material: Die-casting aluminum alloy+ PC;
- Protection Degree: IP66, IK08;
- Control mode: Power timer dimming;
- Pole Diameter:  $\Phi 76$ ;
- Operating environment: Operating Temperature - 40°C ~ 50°C, Operating Humidity 10% ~ 90 %RH, Storage Temperature -40 °C ~ 55 °C.

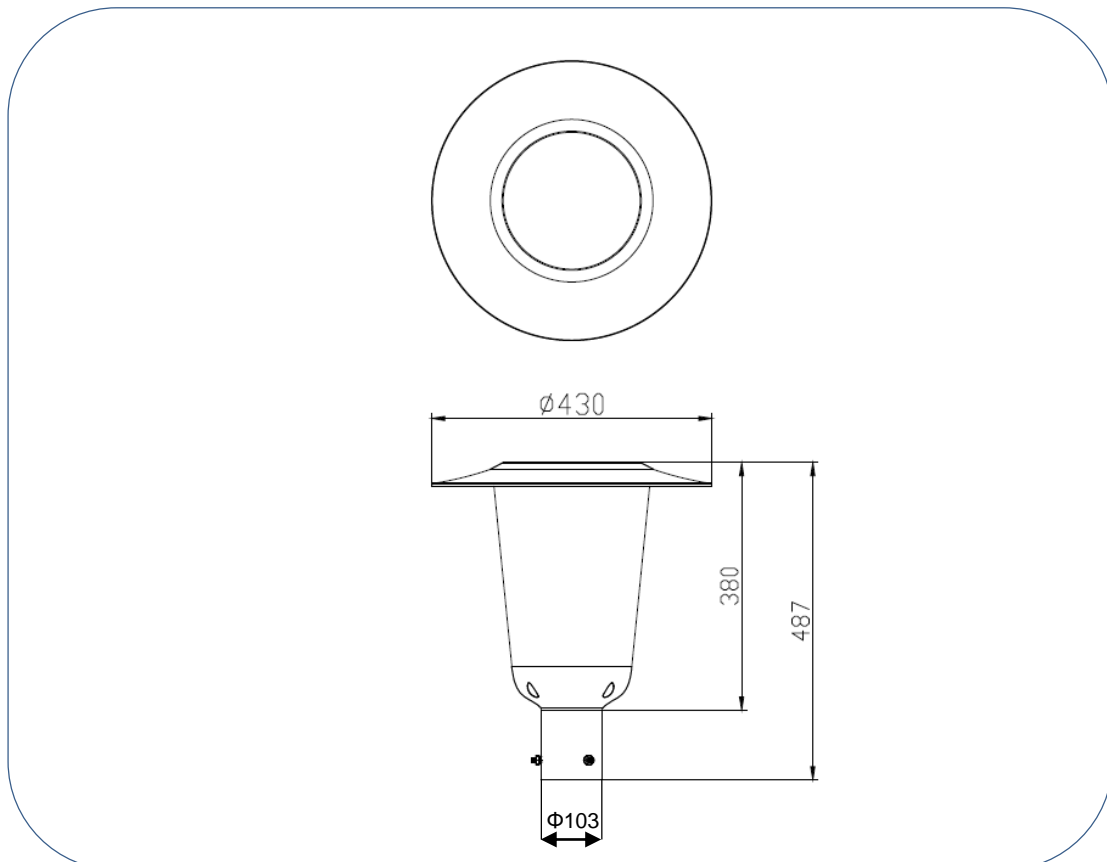
## Product Parameters:

Product Model	Power (W)	LED	CCT (K)	Luminaire Efficiency@4000 K, Ta=25°C (lm)	PF	CRI	Life Span (Hrs)	Luminaire Dimension (mm)	Net Weight (kg)	Gross Weight (kg)	Packing Dimension (mm)
UNI-YA04-1	15	Osram/ Philpis	3000±300K 4000±300K 5000±300K 5700±500K 6500±500K	Option:110,125	≥0.92	70	50,000	430×430×487	4.3±0.2	7.4±0.2	560×555×560
	25			Option:110,125	≥0.95						
	35			Option:110,125	≥0.95						
	45			Option:110,125	≥0.95						
	60			Option:110,125	≥0.95						
	80			Option:110,125	≥0.95						

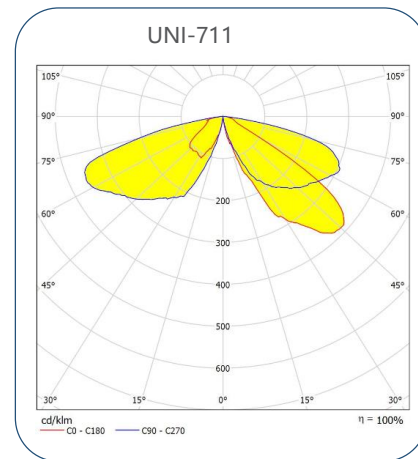
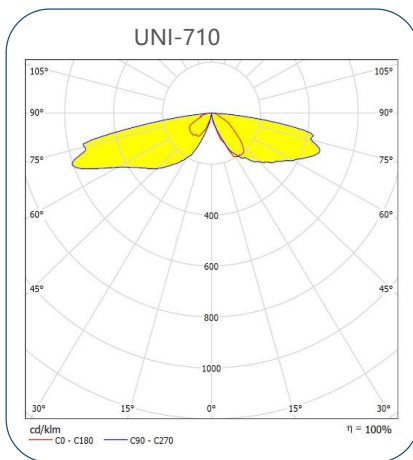
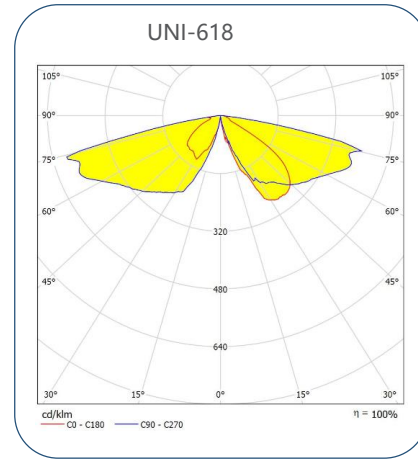
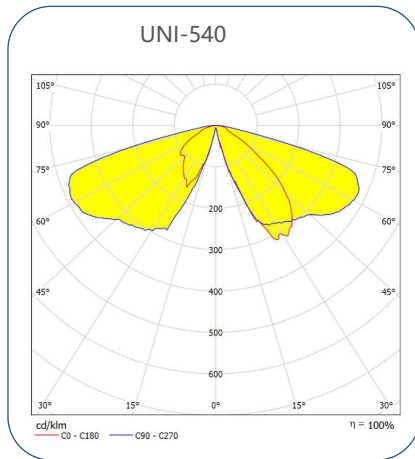
Note: The tolerance of Luminous Flux for lighting products is ±7%

The net weight / gross weight of Opera series is for reference only, and the actual weight will change with the specific requirement.

## Product Dimension:



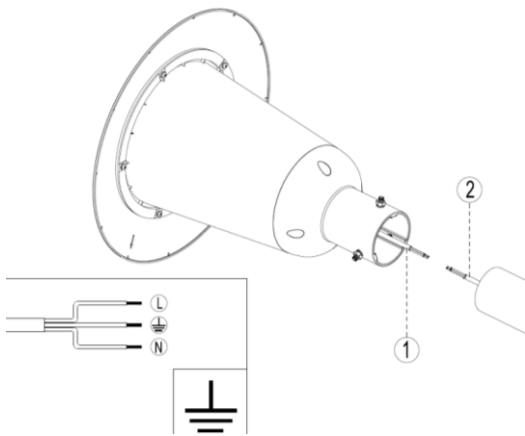
## Light Distributions:



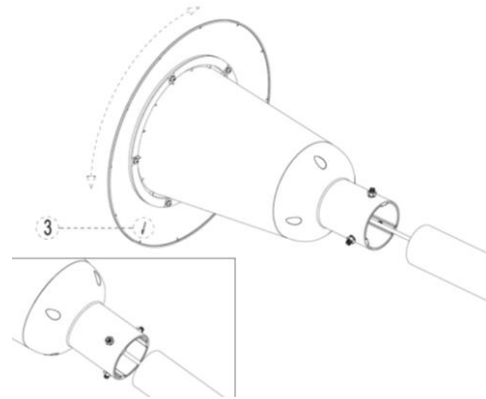
Note: The pictures are only the references of typical light distribution type, and the specific parameters shall be subject to the actual IES of the product.

## Installation Diagram:

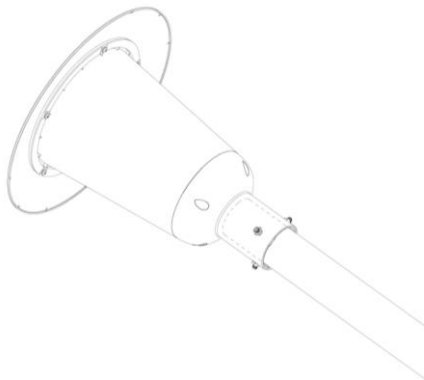
1. Wire the power cables of the luminaire and the pole according to the picture below (Brown-live line, Blue-neutral line, Yellow green-ground line) , making the connection waterproof.



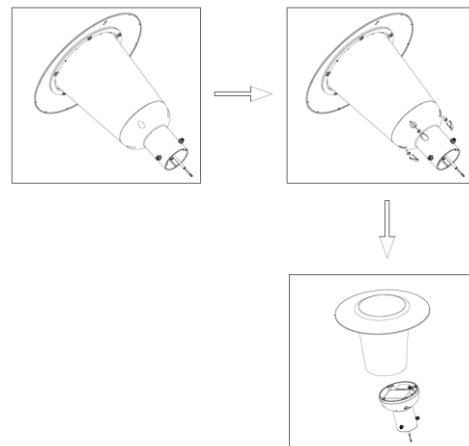
2. Mount the pole bracket into the luminaire, (arrow ③ on the luminaire indicates the projection direction)



3. Tighten three M8 bolts and nuts.



4. Unplug the 4 rubber plugs and loosen the screws, the base can be separated from the housing body for maintenance.



## Maintenance:

- Keep the luminaire in clean and good maintenance to ensure long lifespan and safety use.
- Wipe the luminaire with soft cloth dipped with soapy water (squeeze the water out first), and then make it clean and dry with a new cloth;
- Do not use volatile chemical liquids such as gasoline, alcohol or insecticides to clean the luminaire, otherwise damage occurs.

## Cautions:

- Make sure safe and complete installation before power on;
- Do not mount the luminaire onto ordinary combustible materials directly in any circumstances;



- Do not cover the luminaire with any objects;
- Do not use the product in a closed environment;
- The maintenance of the luminaire must be done by professionals;
- The external wiring of the luminaire is Y-shaped. If damaged, shall be replaced with wires provided by the original manufacturer or its service team;
- The light source, if damaged, shall be replaced with chips provided by the manufacturer or service team.

**Warning, danger of electric shock**



- Statement: The luminaire complies with the non-hazardous requirements (RG1) in the photobiological safety standard IEC 62471:2006;
- Product specifications are subject to change without notice.