

Big S Module



5050



3030

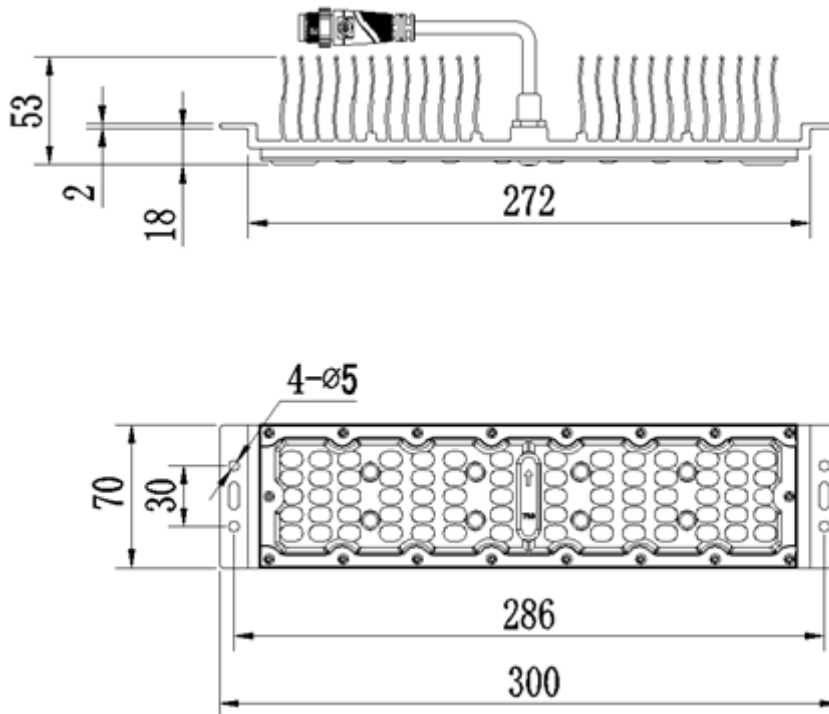
- Rated Power Range: 40W-60W;
- Rated Input Voltage: DC48V;
- Housing Material: -Extruded aluminum workmanship + PC;
- Protection Degree: IP66;
- Size and Interface: Complies with the requirements in the standard GB/T 35269-2017(CSA016), can be interchanged with module that meets this standard;
- Operating environment: Operating Temperature - 40°C ~ 55°C, Operating Humidity 10% ~ 90 %RH, Storage Temperature -40 °C ~ 55 °C.

Product Parameters:

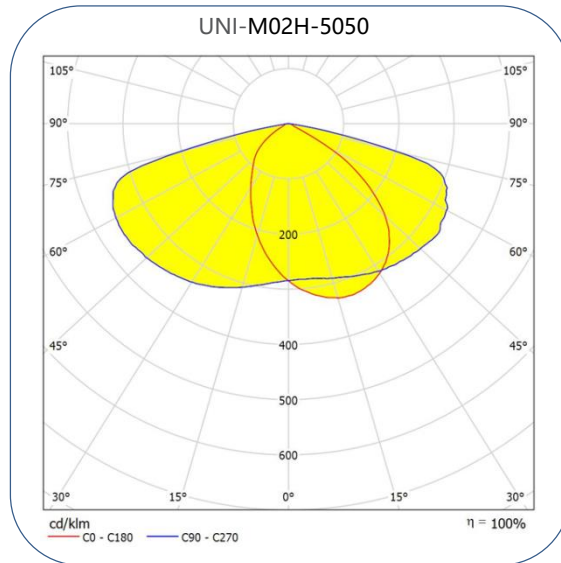
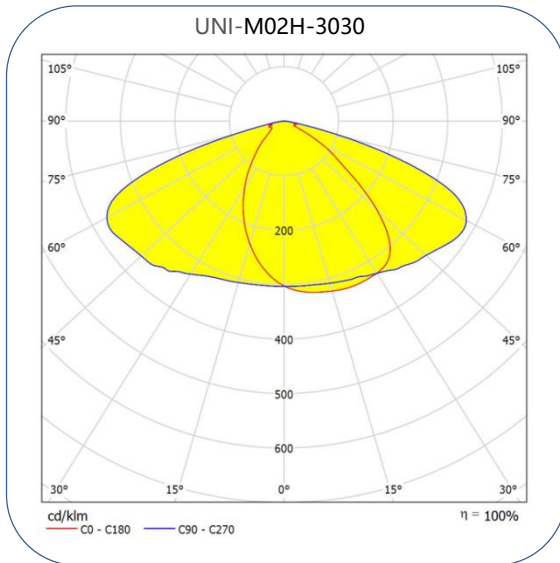
Product Model	Power (W)	Input current (A)	LED	Luminaire Efficiency @4000K, Ta=25°C (lm/W)	CCT (K)	CRI	Life Span(Hrs)	Module Dimension (mm)	Net weight/Gross weight (kg)
UIN-M02H	60	1.15	Osram/ lumileds 3030	150	3000±300K 4000±300K 5000±300K 5700±500K 6500±500K	70	50,000	300x70x53	0.6/15±0.5 (20PCS)
UIN-M02H	60	1.25	Osram/ lumileds 5050	160					

Note: The tolerance of Luminous Flux for lighting products is ±7%

Product Dimension:



Light Distributions:



Note: The pictures are only the references of typical light distribution type, and the specific parameters shall be subject to the actual IES of the product.