



## Nova Catenary



### Features:

- Rated Power Range: PC Range:20W-100W Glass Range:20W-80W;
- Rated Input Voltage: AC220-240V/100-240V/100-277V;
- Housing Material: Die-casting aluminum alloy, Compatible with PC and glass cover;
- Cover opening: Standard and Tool-free range are optional;
- Protection Degree: IP66, IK08;
- Angle Adjuster: 360° angle adjustment for horizontal installation and minus or plus 30 ° angle adjustment for vertical installation;
- Equipped with bubble level to ensure quick installation;
- NEMA interface and ZHAGA interface are optional;
- Control mode: Control mode: Power line carrier(NEMA/ Built in), NB-IoT(NEMA), ZigBee (NEMA) , driver timer dimming, NEMA light switch;
- Install Dimension:  $\phi 3$ - $\phi 14$ mm wire rope;
- Operating environment: Operating Temperature - 40°C ~ 45°C, Operating Humidity10% ~ 90 %RH, Storage Temperature -40 °C ~ 55 °C.

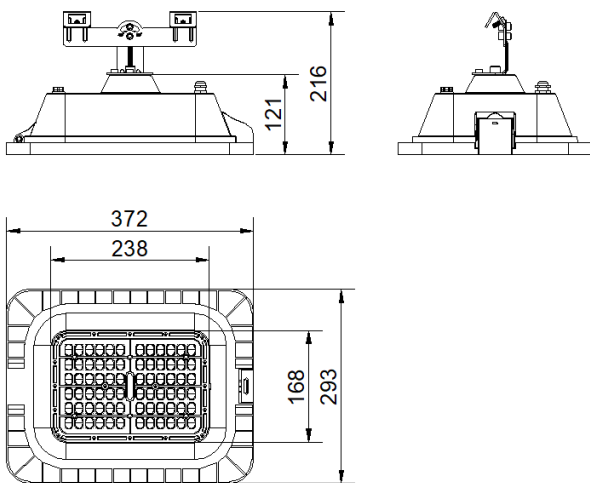
## Product Parameters:

Product Model	Power (W)	LED	CCT (K)	Luminaire Efficiency (lm/W)	PF	Ra	Life Span (Hrs)	Product Dimension (mm)	Net/Gross Weight (kg)	Packing Dimension (mm)
UNI-STC2-1	100	Osram /Lumileds	3000±30 0K	Option:130,150	≥0.95	70	50,000	372×293×216	4.5/5.5	450×365×205
UNI-STC2-2	80		4000±30 0K 5000±30 0K 5700±50 0K 6500±50 0K					Option:130,150		

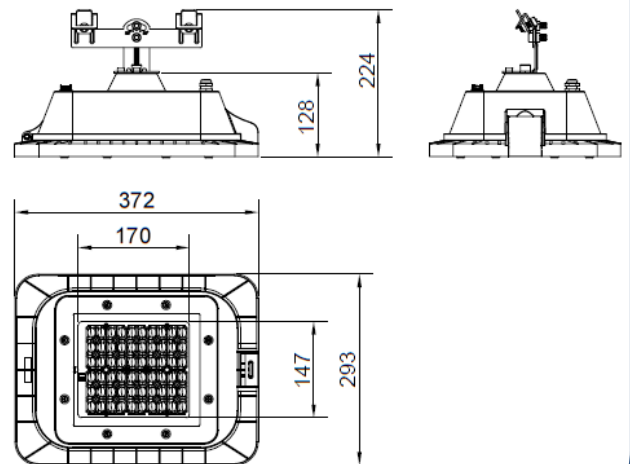
Note: The tolerance of Luminous Flux for lighting products is ±7%

## Product Dimension:

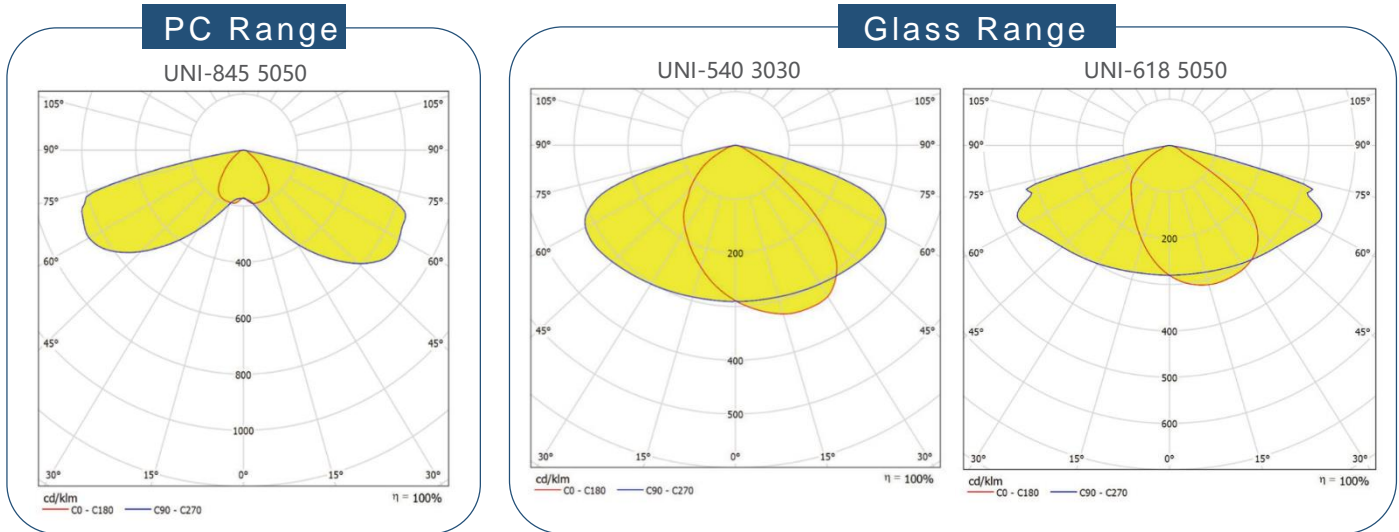
UNI-STC2-1 PC Range



UNI-STC2-2 Glass Range



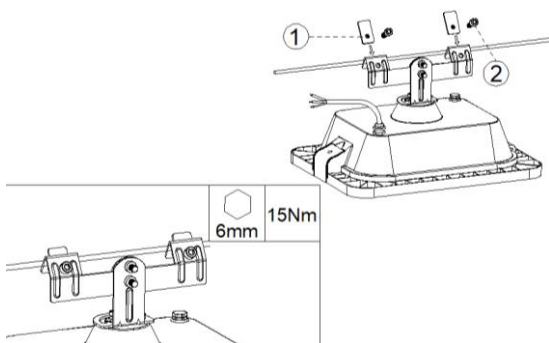
## Light Distributions:



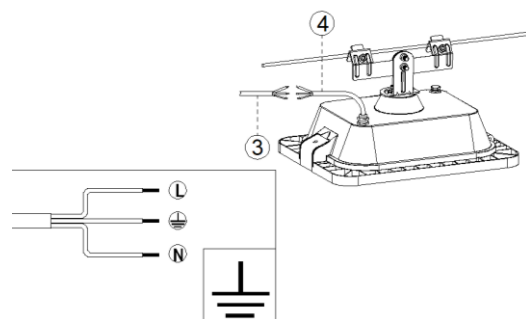
Note: The pictures are only the references of typical light distribution type, and the specific parameters shall be subject to the actual IES of the product.

## Installation Diagram:

1. Wire through the brackets with steel rope, insert two plates to bracket holes and fix with M8 hexagon screws. Opposite side distance of the wrench is 6mm and the torque is 15nm.



2. Wire the power cables ③ and ④ according to the picture below (Brown-live line, Blue-neutral line, Yellow green-ground line), making the connection waterproof.



3. Loosen screw ⑤ to adjust the luminaire angle if necessary.

