



VILLA



Standard Color: Dark Gray (PANTON:8403C)

Features:

- Rated Power Range: 18W-80W;
- Rated Input Voltage: AC220-240V/100-240V/100-277V;
- Housing Material: Die-casting aluminum alloy+ Ultra transparent tempered glass;
- Protection Degree: IP66, IK08;
- Control mode: Power line communication(Internal), NB-IoT(Internal), ZigBee(Internal), Power timer dimming;
- Pole Diameter: $\Phi 76\text{mm}$;
- Operating environment: Operating Temperature - $40^{\circ}\text{C} \sim 50^{\circ}\text{C}$, Operating Humidity 10% ~ 90 %RH, Storage Temperature $-40^{\circ}\text{C} \sim 55^{\circ}\text{C}$.

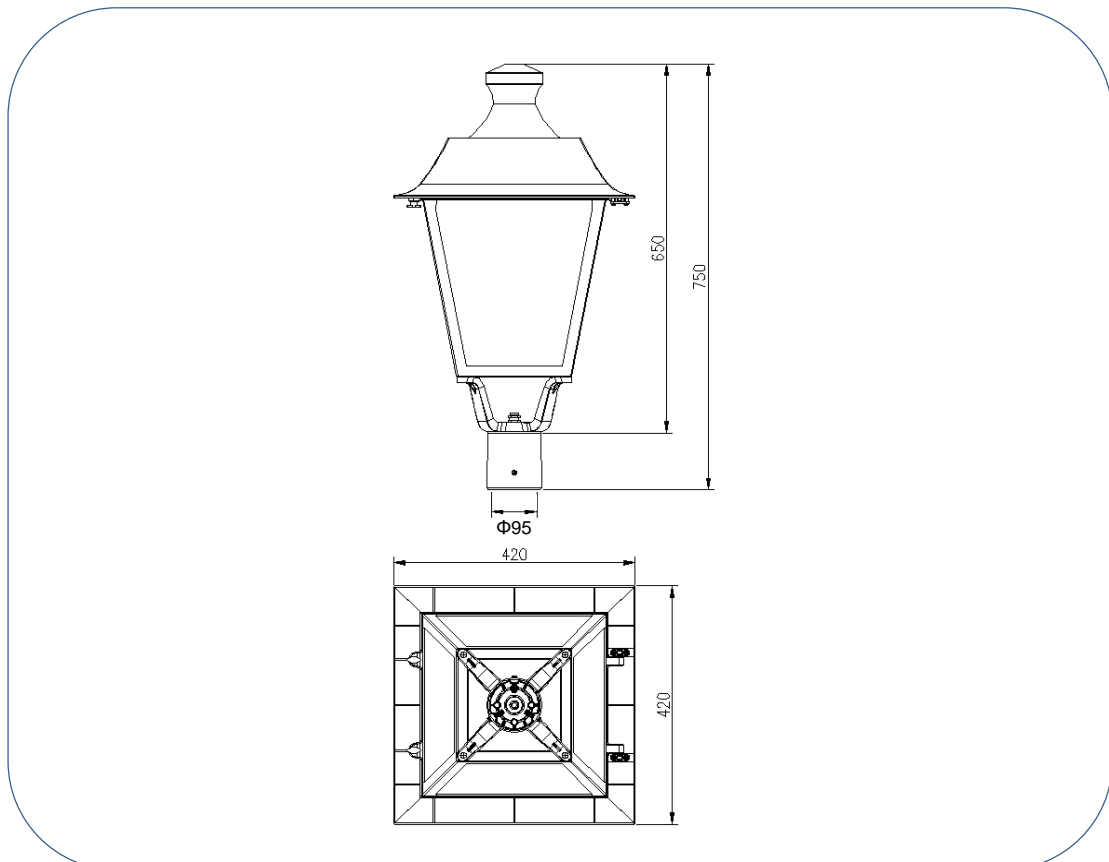
Product Parameters:

Product Model	Power (W)	LED	CCT (K)	Luminaire Efficiency@4000 K, Ta=25°C (lm)	PF	CRI	Life Span (Hrs)	Luminaire Dimension (mm)	Net Weight (kg)	Gross Weight (kg)	Packing Dimension (mm)
UNI-YA05-1	20	Osram/ Lumileds	3000±300K 4000±300K 5000±300K 5700±500K 6500±500K	Option 125,135	≥0.92	70	50,000	420×420×750	7.4±0.2	10.7±0.2	585×505×484
	30			Option 125,135	≥0.92						
	40			Option 125,135	≥0.92						
	50			Option 125,135	≥0.92						
	60			Option 125,135	≥0.92						
	70			Option 125,135	≥0.95						
	80			Option 125,135	≥0.95						

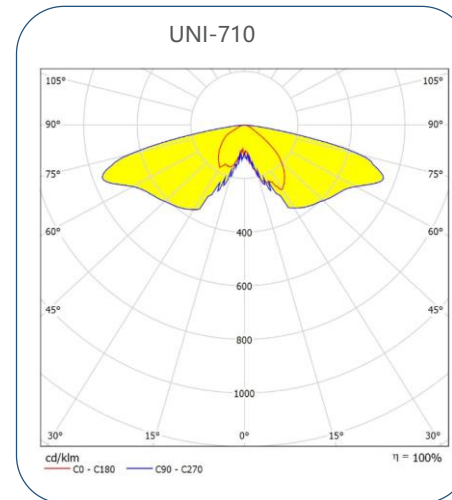
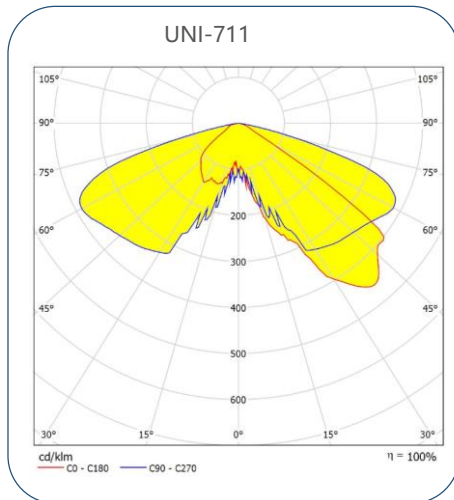
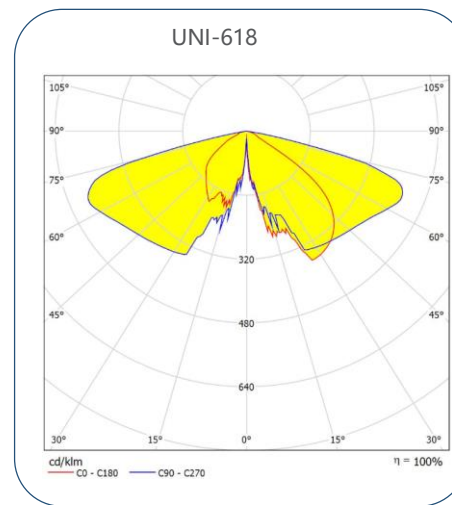
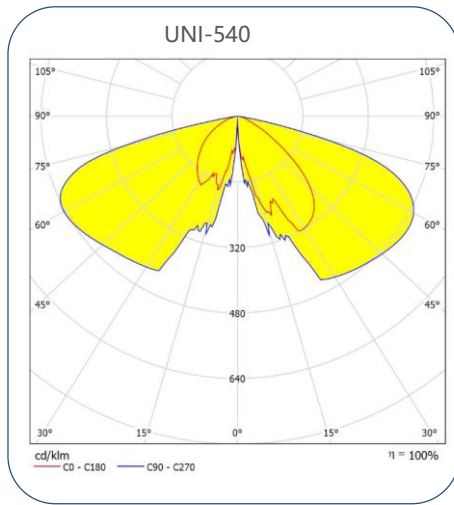
Note: The tolerance of Luminous Flux for lighting products is ±7%

The net weight / gross weight of Opera series is for reference only, and the actual weight will change with the specific requirement.

Product Dimension:



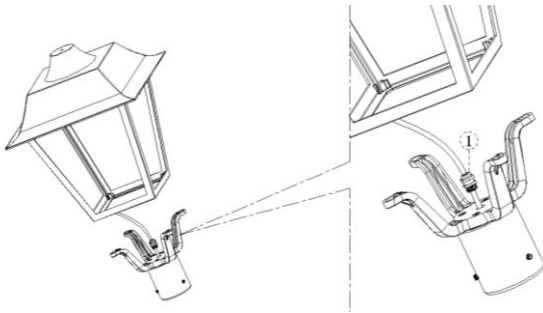
Light Distributions:



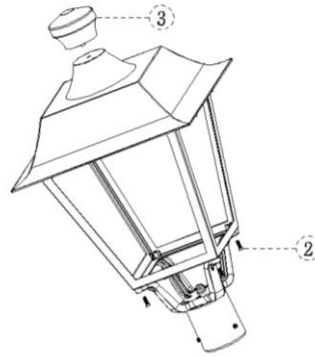
Note: The pictures are only the references of typical light distribution type, and the specific parameters shall be subject to the actual IES of the product.

Installation Diagram:

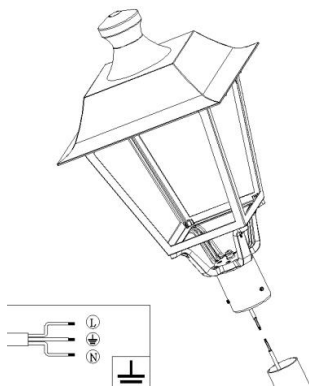
1. Wire the cable of the luminaire with the cable ①, then lock it into the bracket hole, the opening distance of the wrench is 17mm.



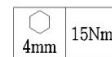
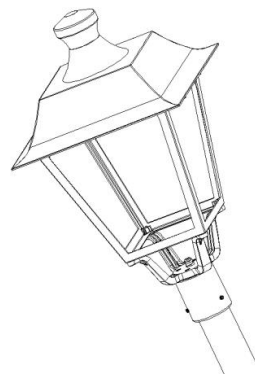
2. Lock four M6 countersunk screws at position ②, and then lock the decorated part ③ onto the upper cover.



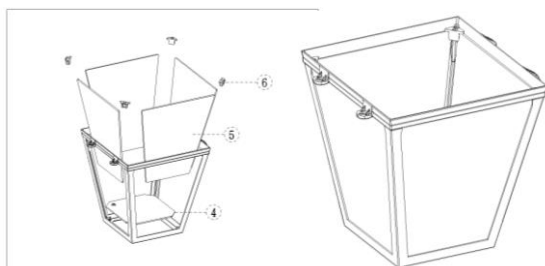
3. Wire the power cables of the luminaire and the pole according to the picture below (Brown-live line, Blue-neutral line, Yellow green-ground line), making the connection waterproof.



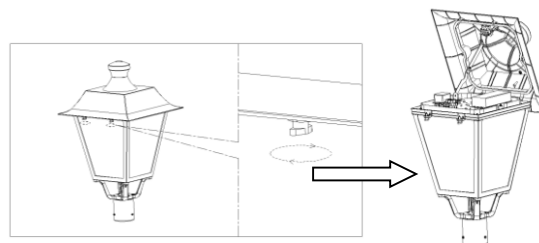
Mount the pole bracket into the luminaire and tighten with three M8 inner hexagon headless screws. the opening distance of the wrench is 4mm, and torque force 15Nm .



5. Glass version: Glass ④ stuck flatly to the bottom, 4 pcs glass ⑤ stuck to the side glass slots finally place the silicone pad into the slots.



2. Loosen the two hand-tightened screws as shown in the figure, adjust the support bracket to the pointing position for maintenance.



Maintenance:

- Keep the luminaire in clean and good maintenance to ensure long lifespan and safety use.
- Wipe the luminaire with soft cloth dipped with soapy water (squeeze the water out first), and then make it clean and dry with a new cloth;
- Do not use volatile chemical liquids such as gasoline, alcohol or insecticides to clean the luminaire, otherwise damage occurs.

Cautions:

- Make sure safe and complete installation before power on;
- Do not mount the luminaire onto ordinary combustible materials directly in any circumstances;



- Do not cover the luminaire with any objects;
- Do not use the product in a closed environment;
- The maintenance of the luminaire must be done by professionals;
- The external wiring of the luminaire is Y-shaped. If damaged, shall be replaced with wires provided by the original manufacturer or its service team;
- The light source, if damaged, shall be replaced with chips provided by the manufacturer or service team.

Warning, danger of electric shock



- Statement: The luminaire complies with the non-hazardous requirements(RG1) in the photobiological safety standard IEC 62471:2006;
- Product specifications are subject to change without notice.