

feron.PRO

# SPECIFICATION

IP69K Rancher Tri-proof

## Product Details

### S/N Rules

$\frac{SL}{1} - \frac{P69}{2} \frac{X}{3} \frac{X}{4} - \frac{XX}{5} - \frac{X}{6} \frac{X}{7}$

EX:  $\frac{SL}{1} - \frac{P69F2-20-WD}{2 \quad 34 \quad 5 \quad 67}$

- 1: SL-Company  
2: P69: P-PC/PE Version; 69-IP69K  
3: X-Cover Type (T: Transparent cover, F: Frosted cover)  
4: X-Length , (2: 2ft 60cm, 4: 4ft 120cm, 5: 5ft 150cm)  
5: XX-Power consumption ( 20: 20w,36: 36w, 45: 45w)  
6: X-Color Temperature (W: Warm white, P: Pure white, C: Cold white )  
7: X-Function Type ( D: 0/1-10V dimmable,L: DALI dimmable)

### Application

- Parking place
- Tunnel / Corridor / Gallery
- Railway / Bus / MTR Station
- Warehouse / Factory
- Food/Meat processing industry
- Chicken sheds
- Livestock farm
- Gas station / Car Washes

### Features

- CE, RoHs, UL, ENEC approved
- IP69K IK10 protection
- Patent cylinder design, PC/PE housing + AL board + Stainless steel caps and clips
- PC material – UV Resistance
- PE material – Corrosion Resistance
- Fit for both indoor and outdoor applications
- 110lm/w or 130lm/w available
- L80B10(Ta=25°C)>50,000hrs
- 5 years warranty

### Temperature

Operating: -20 ~ +40°C

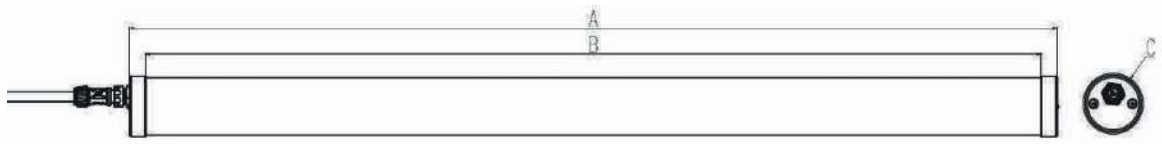
Storage: -40 ~ +85°C



## Product Details



## Dimension



length	A	B		C
——	Min.mm	Min.mm	Max.mm	Min.mm
600	600	544	547	75
1200	1200	1144	1147	75
1500	1500	1444	1447	75

## Data Sheet

Article Number	Size	Power	LEDs	Beam Angle	CRI	AC Input	DC Output	SDCM	Efficiency(±%)	Lumen Output
----------------	------	-------	------	------------	-----	----------	-----------	------	----------------	--------------

### Standard lumen version>>>>>110~120lm/w with frosted cover, 120~130lm/w with transparent cover

SL-P69X2-20-X	600*Ø75mm	20W	208	120°	>80	200~240V	30~40V	<4	110~130lm/w	2200~2600lm
SL-P69X2-30-X	600*Ø75mm	30W	208	120°	>80	200~240V	30~40V	<4	110~130lm/w	3300~3900lm
SL-P69X4-36-X	1200*Ø75mm	36W	312	120°	>80	200~240V	30~40V	<4	110~130lm/w	4000~4700lm
SL-P69X4-50-X	1200*Ø75mm	50W	312	120°	>80	200~240V	30~40V	<4	110~130lm/w	5500~6500lm
SL-P69X5-45-X	1500*Ø75mm	45W	416	120°	>80	200~240V	30~40V	<4	110~130lm/w	5000~5900lm
SL-P69X5-50-X	1500*Ø75mm	50W	416	120°	>80	200~240V	30~40V	<4	110~130lm/w	5500~6500lm
SL-P69X5-60-X	1500*Ø75mm	60W	416	120°	>80	200~240V	30~40V	<4	110~130lm/w	6600~7800lm

### Premium lumen version>>>>>130~140lm/w with frosted cover, 140~150lm/w with transparent cover

SL-P69X2-20-X	600*Ø75mm	20W	208	120°	>80	200~240V	30~40V	<4	130~150lm/w	2600~3000lm
SL-P69X2-30-X	600*Ø75mm	30W	208	120°	>80	200~240V	30~40V	<4	130~150lm/w	3900~4500lm
SL-P69X4-36-X	1200*Ø75mm	36W	312	120°	>80	200~240V	30~40V	<4	130~150lm/w	4600~5400lm
SL-P69X4-50-X	1200*Ø75mm	50W	312	120°	>80	200~240V	30~40V	<4	130~150lm/w	6500~7500lm
SL-P69X5-45-X	1500*Ø75mm	45W	416	120°	>80	200~240V	30~40V	<4	130~150lm/w	5800~6700lm
SL-P69X5-50-X	1500*Ø75mm	50W	416	120°	>80	200~240V	30~40V	<4	130~150lm/w	6500~7500lm
SL-P69X5-60-X	1500*Ø75mm	60W	416	120°	>80	200~240V	30~40V	<4	130~150lm/w	7800~9000lm

Different wattage can be customized.

## Flexibility in connections

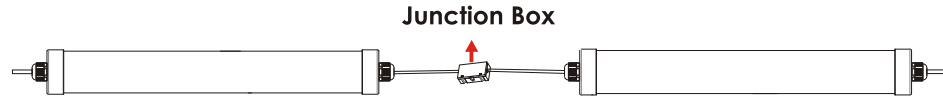
### Option A



■ Single connection



■ Series connection



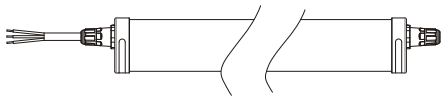
Fit for single or series connection

### Option B



Cable self-mounted wiring. Compatible with both single and series connection.

## Non Dimmable Tri-proof LED Lamp



(EU market-3 pole cable) (US market-3 pole cable)

L:	Brown	Black
N:	Blue	White
E:	Yellow-Green	Green

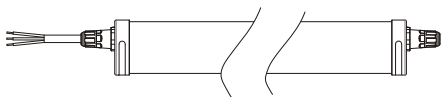
## 0/1-10V Dimmable Tri-proof LED Lamp



(EU market-5 pole cable) (US market-5 pole cable)

L:	Brown	Black
N:	Blue	White
E:	Yellow-green	Green
DIM+:	Black	Red
DIM-:	Gray	Orange

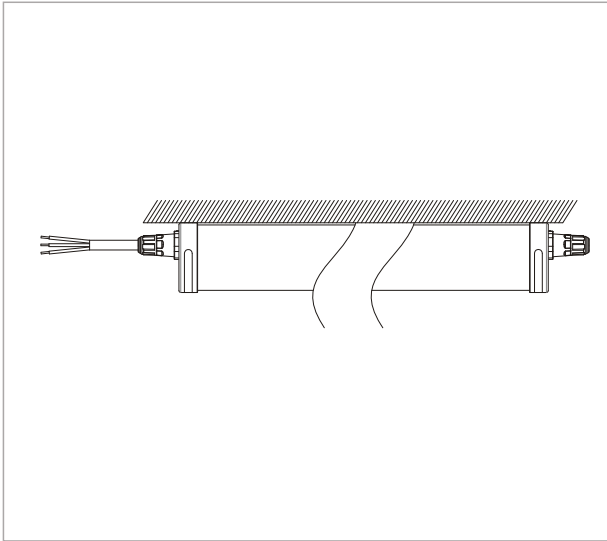
## DALI Dimmable Tri-proof LED Lamp



(EU market-5 pole cable) (US market-5 pole cable)

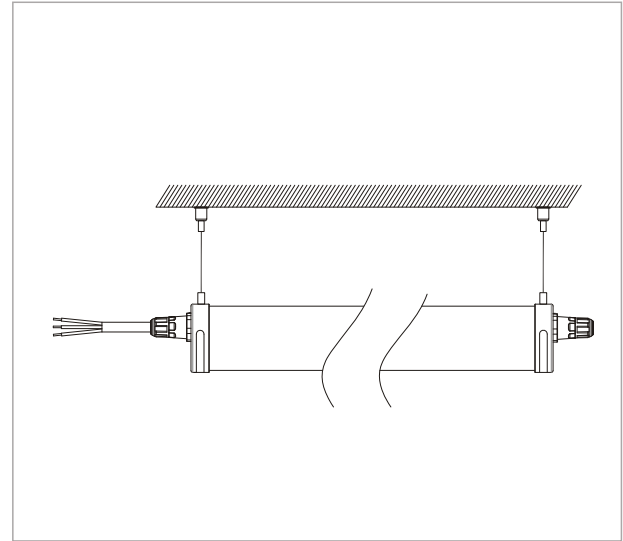
L:	Brown	Black
N:	Blue	White
E:	Yellow-green	Green
DA:	Black	Red
DA:	Gray	Orange

### Ceiling Mounted Installation



\* Standard configuration

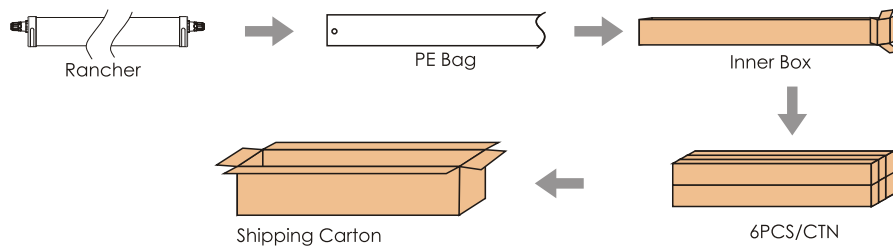
### Suspended Installation



\* Suspended accessories need to be paid additionally

## Package

Item code	Dimension	Carton Size	N.W.(kg)/CTN	G.W.(kg)/CTN	Maximum Loading of		
					20'GP	40'GP	40'HQ
SL-P69X2-20-X	600*74*78mm	750*250*165mm	7.2	9	1050CTNs	2249CTNs	2475CTNs
SL-P69X2-30-X	600*74*78mm	750*250*165mm	7.2	9	1050CTNs	2249CTNs	2475CTNs
SL-P69X4-36-X	1200*74*78mm	1350*250*250mm	13.2	16	556CTNs	1164CTNs	1344CTNs
SL-P69X4-50-X	1200*74*78mm	1350*250*250mm	13.2	16	556CTNs	1164CTNs	1344CTNs
SL-P69X5-45-X	1500*74*78mm	1650*250*250mm	16.2	20	452CTNs	942CTNs	1068CTNs
SL-P69X5-50-X	1500*74*78mm	1650*250*250mm	16.2	20	452CTNs	942CTNs	1068CTNs
SL-P69X5-60-X	1500*74*78mm	1650*250*250mm	16.2	20	452CTNs	942CTNs	1068CTNs



**Reminding:** Do not install this lamp into water directly to avoid any potential safety risks caused by AC input.